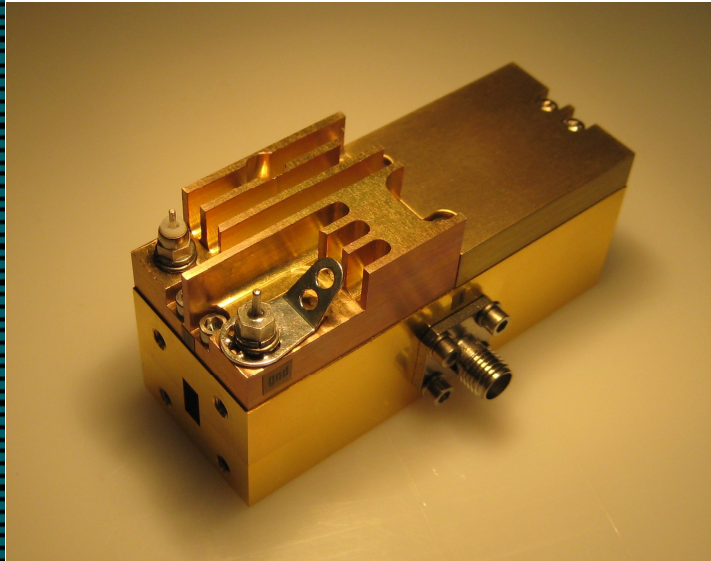
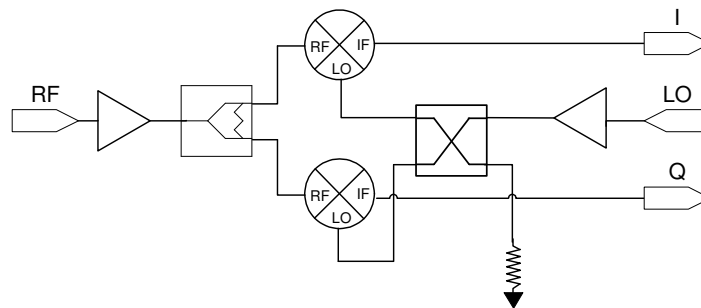


MIQ-28-SLNA
KA-BAND I/Q MIXER W/ LNA

FEATURES:

- Integrated RF Low-Noise Amplifier (LNA)
- 3dB Noise Figure
- Integrated LO Amplifier
- Internally Regulated
- Standard WR-28 Square Flanges on LO and RF

APPLICATIONS:

- Quadrature Radar Receiver
- Image Reject Downconverter

DIAGRAM:

DESCRIPTION:

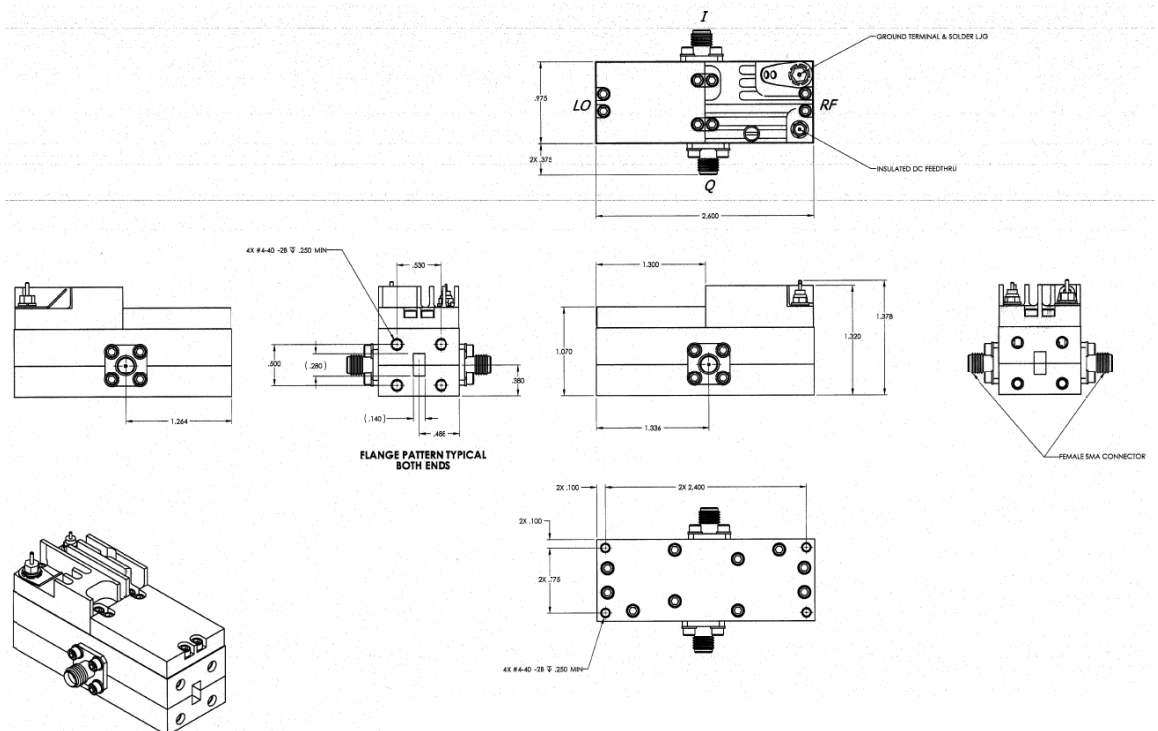
These Ka band I/Q mixers are ideal for Radar Receiver applications and Single-Sideband Mixers. The LO port is split by a 90-degree hybrid to the two mixers. The LO input is buffered so that only 0 dBm of LO power is required for the mixer to operate. These mixers may also be ordered without the integrated LO amplifier.

In-phase and quadrature IF ports are SMA-compatible.

ELECTRICAL SPECIFICATIONS:

		PERFORMANCE	UNITS
Frequency Range, RF		34 - 36	GHz
Frequency Range, LO		34 - 36.01	GHz
Frequency Range, IF		DC to 2	GHz
* Conversion Gain		8 typ.	dB
* Noise Figure		3 typ.	dB
Amplitude Balance		0.3 typ.	dB
Phase Balance		± 5	Degrees
Input P1 dB		-6	dBm
LO Drive	With Amplifier	0 min	dBm
	Without Amplifier	15 min	
Supply Voltage		8 to 15	Volts
Supply Current		300 typ.	mA
Max Pin (no damage)		-1	dBm

* when used as an Image Reject mixer with lossless external IF hybrid

OUTLINE DRAWING:




HOW TO ORDER:

Specify Model Number	
MIQ-28-SLNA0	With Integrated LO Amplifier
MIQ-28-SLNA1	Without LO Amplifier