

Miniature Surface Mount Transfer Switches



RLC Electronics' miniature surface mount transfer switch combines high performance in a compact configuration. The switch provides extremely high reliability, long life, and excellent electrical performance characteristics in a miniature package. The power consumption is less than half that of the miniature connectorized switches. The switch is available with a choice of four different operating frequencies and three coil voltages.

Specifications

SR-Tmin-min¹⁻²⁻³

Switch Type	TRANSFER			
Frequency (GHz)	DC-2.0	2.0-5.0	5.0-12.4	12.4-18.0
Insertion Loss (dB Max)	0.2	0.3	0.4	0.7
VSWR (Max)	1.3	1.4	1.5	1.7
Isolation (dB Min)	70	60	50	40

Power Rating, RF Cold Switching: See page 75

Impedance: 50 ohms

Operating Power 25 deg C (mA nominal):

(Failsafe): 5 vdc at 440 mA

12 vdc at 185 mA, 28 vdc at 108 mA

(Latching): 5 vdc at 500 mA

12 vdc at 210 mA, 28 vdc at 122 mA

Connectors, RF and Power: .018 DIA. Pins

Life: 1,000,000 operations

Switching Time: 15 milliseconds max.

Weight: .7 oz.

Environmental Conditions: MIL-DTL-3928

Operating Mode: Failsafe or latching.

Switching Sequence: Break before make

To designate the switch desired use:

1: "E" for 5 volt coil

"H" for 12 - 15 volt coil

"D" for 24 - 28 volt coil

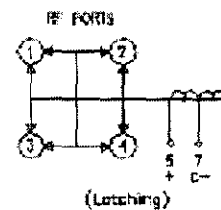
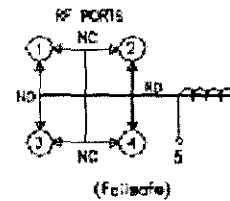
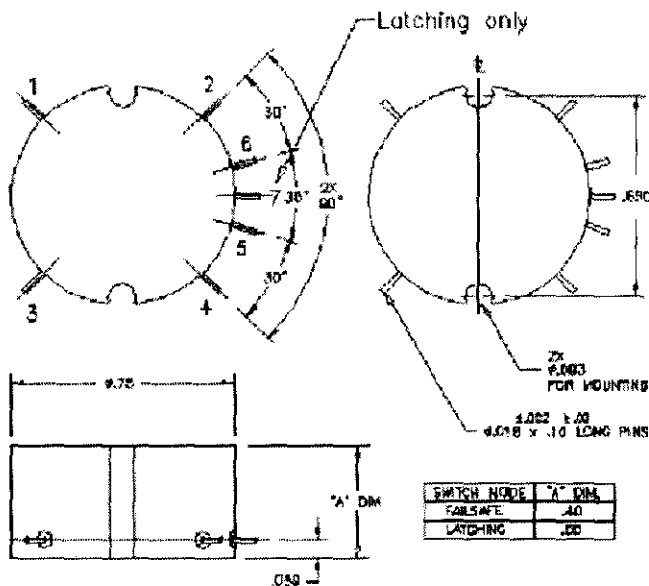
2: "2" for DC 2 GHz, "5" for DC 5GHz "12" for

DC 12.4 GHz, "18" for DC 18 GHz

3: "L" for pulse latching if desired

Example: SR-Tmin-min-D-2 is a Transfer, 24-28 vdc, DC-2 GHz, failsafe switch

Outline Drawing



Shown with least application of power to 5-7
Power to 5-7 connects 1-2, 3-4
Power to 6-7 connects 1-3, 2-4

